

1 OPM-E

Control panel for a cold location controller in split design

1.1 Front view



Fig. 1: Front view

1.2 Features

- Parameter display and adjustment
- 3-digit 7-segment display with white numbers
- Control and power supply via conductors connected to the controller
- Easy installation
- Standard dimensions for cabinet installation
- Degree of protection IP65, on the front in the installation position

1.3 Safety instructions

Writing conventions

WARNING



- Avoid the described hazard: otherwise, **electric voltage** represents a danger that could lead to **fatal** or **serious** bodily injury.

CAUTION



- Avoid the described hazard: otherwise, **minor** or **intermediate** physical injury or damage to property will result.

For your safety

For safe operation and to avoid personal injury and equipment damage through operator error, always read these instructions, become familiar with the device, and follow all safety instructions on the product and in this document, as well as the safety guidelines of Wurm GmbH & Co. KG Elektronische Systeme. Keep these instructions ready to hand for quick reference and pass them on with the device if the product is sold.

Wurm GmbH & Co. KG Elektronische Systeme accepts no liability in the case of improper use or use for purposes other than the intended purpose.

Target group	This manual is intended for "service technician" personnel.
Intended use	OPM-E is a control panel for a cold location controller in split design.

WARNING



DANGER TO LIFE FROM ELECTRIC SHOCK AND/OR FIRE!

- Switch off the power to the entire plant when carrying out installation, wiring or disassembly work! Otherwise, mains voltage and/or external voltage may still be present, even if the control voltage is switched off.
- The wiring of the device must be carried out only by qualified electricians!
- Use the correct tools for any work!
- Check the entire wiring after connection!
- Observe the maximum loads for all connections!
- Never expose the device to moisture, for example due to condensation or cleaning agents.
- Stop operating the device if it is faulty or damaged and its safe operation is compromised!
- Do not open the device.
- Do not repair the device yourself! If required, send the device in for repair with an exact description of the fault!



Wurm Infocenter



paperless info



Validity of the documentation

Version	Date	
V1.0.0 and higher	2023-10	Documentation status

Any versions not listed are special solutions for individual projects and are not described in detail in this document. This document will automatically cease to be valid if a new technical description is issued.

Manufacturer: Wurm GmbH & Co. KG Elektronische Systeme, Morsbachtalstraße 30, D-42857 Remscheid
You can find more information on our website at www.wurm.de.

1.4 Connection diagram

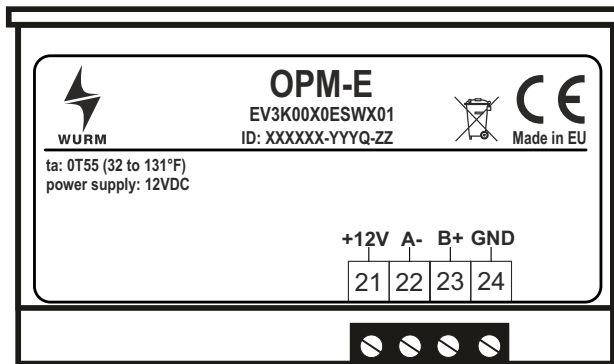


Fig. 2: Connection diagram

Terminal	Designation	Function
21	+12V	12V...24V power supply
22	A-	Data cable
23	B+	Data cable
24	GND	0V

1.5 Installing the device

The device is installed in refrigeration units or control cabinet doors on the cover using the enclosed brackets.

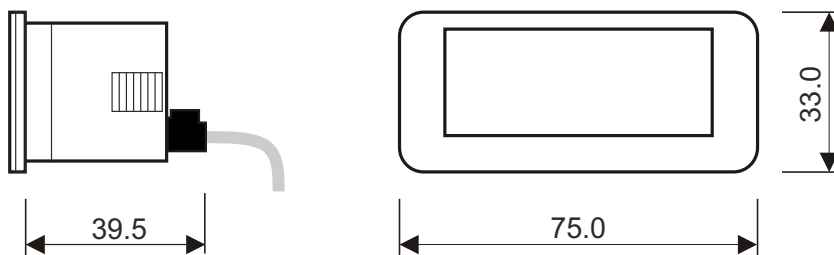


Fig. 3: Device dimensions

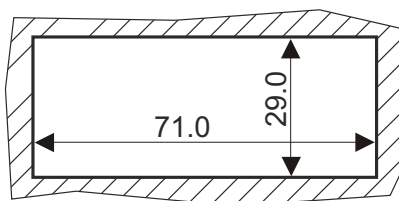


Fig. 4: Installation section

WARNING



DANGER TO LIFE FROM ELECTRIC SHOCK AND/OR FIRE!

- Switch off the power to the entire plant before installing. Otherwise, mains voltage and/or external voltage may still be present, even if the control voltage is switched off.

1. Release both brackets at the side and remove them from the device by pushing them backwards.
2. Place the device in the installation section on the cover.
3. Place both brackets on at the side and push until they reach the stop on the cover and lock into place (see. Fig. 5, „Installation in the installation section“).

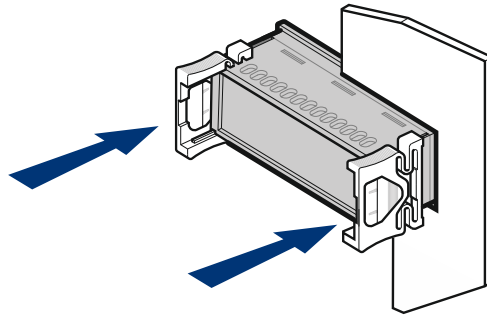


Fig. 5: Installation in the installation section

NOTICE



- The thickness of the cover, on which the device is installed, must be between 0.8 and 2.0mm.

1.6 Technical data

Power supply	Via cold location controller in split design	
Display	Display with numerical indicators and status symbols	
Communication Cold location controller	4-wire Modbus interface with integrated power supply, max. 40mA	
Dimensions	(W x H x D) 75 x 33 x 39.5mm, with fixed terminal strip	
Housing	Plastic	
Degree of protection	IP65, on the front in the installation position	
Fastening	In the section with brackets	
Connection cable length	Max. 1.2m	
Relative humidity	10...90%	
Ambient temperature	Operation: 0...+55°C, storage: -20...+70°C	
Weight	About 32g	
CE conformity	- 2014/30/EU (EMC Directive) - 2014/35/EU (Low Voltage Directive)	CE
	RoHS II	